

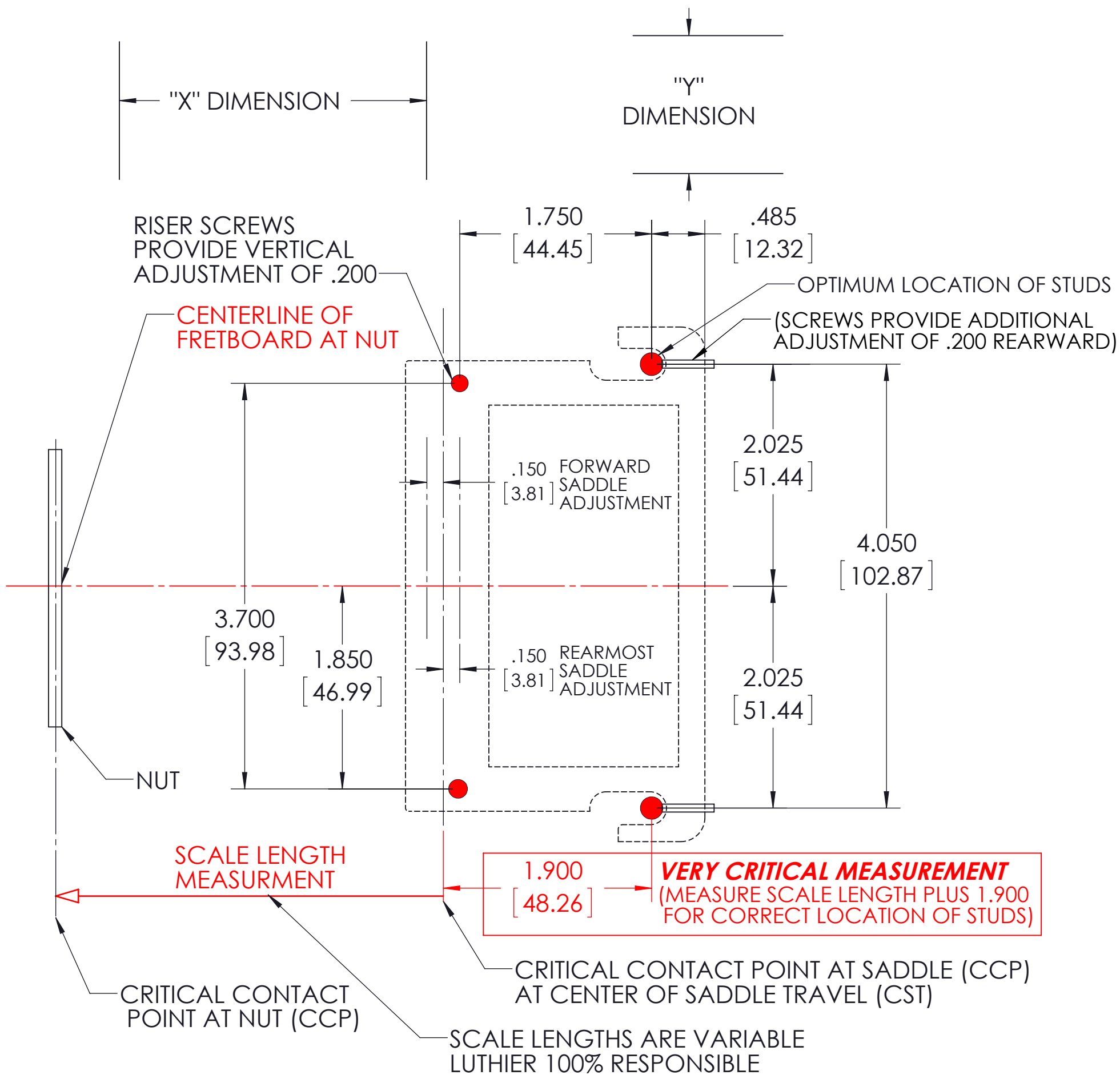
INSTALLATION INSTRUCTIONS

FOR TREMOLO BRIDGES 2217, 2218, 2227, 2228
7 & 8 STRING SERIES



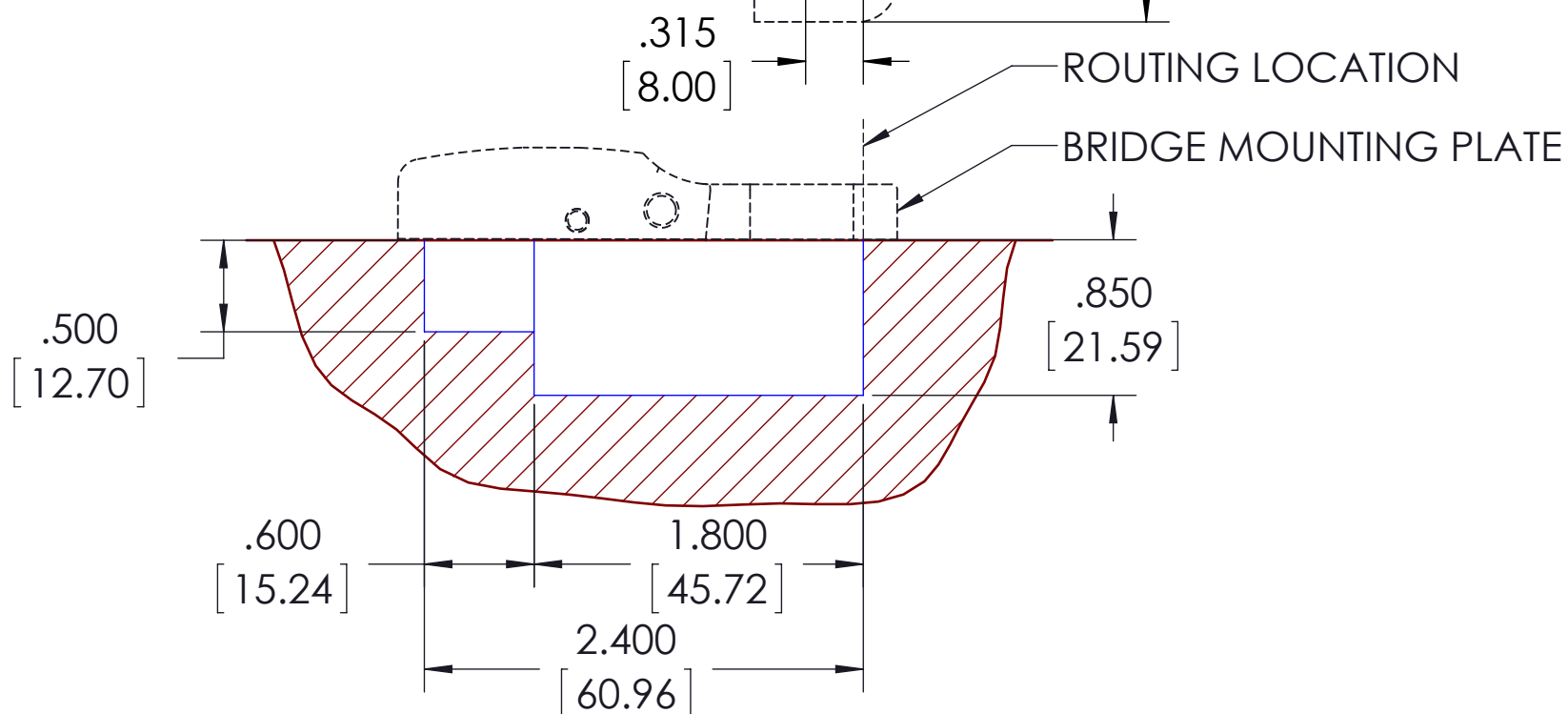
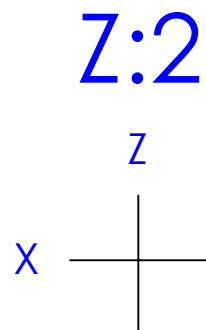
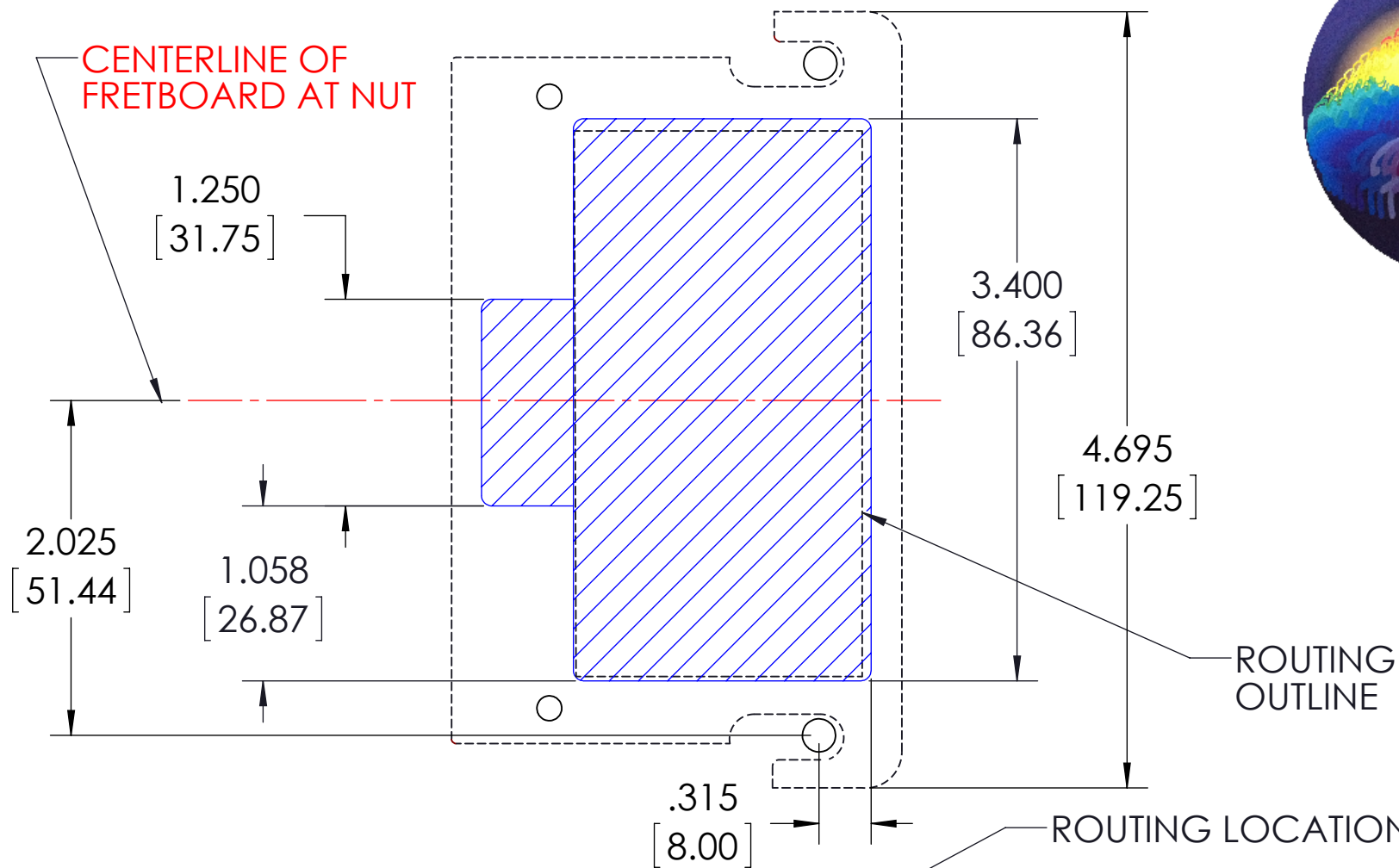
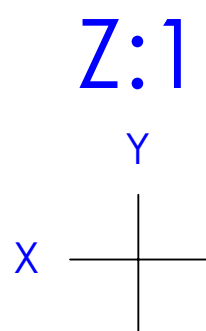
X : LOCATION OF STUD MOUNTING HOLES (USE CENTERLINE OF FRETBOARD).
SCALE LENGTH MEASUREMENT FOR CORRECT INTONATION IS FROM CRITICAL CONTACT POINT (CCP) AT NUT AND TO THE CENTER OF SADDLE TRAVEL (CST).

Y : LOCATION OF (2) STUD MOUNTING HOLES (USE CENTERLINE OF FRETBOARD)
ALIGNMENT LEFT & RIGHT FOR CORRECT STRING LOCATION ON FRETBOARD. (NOTE: L-R SADDLE ADJUSTMENTS ON BRIDGE).

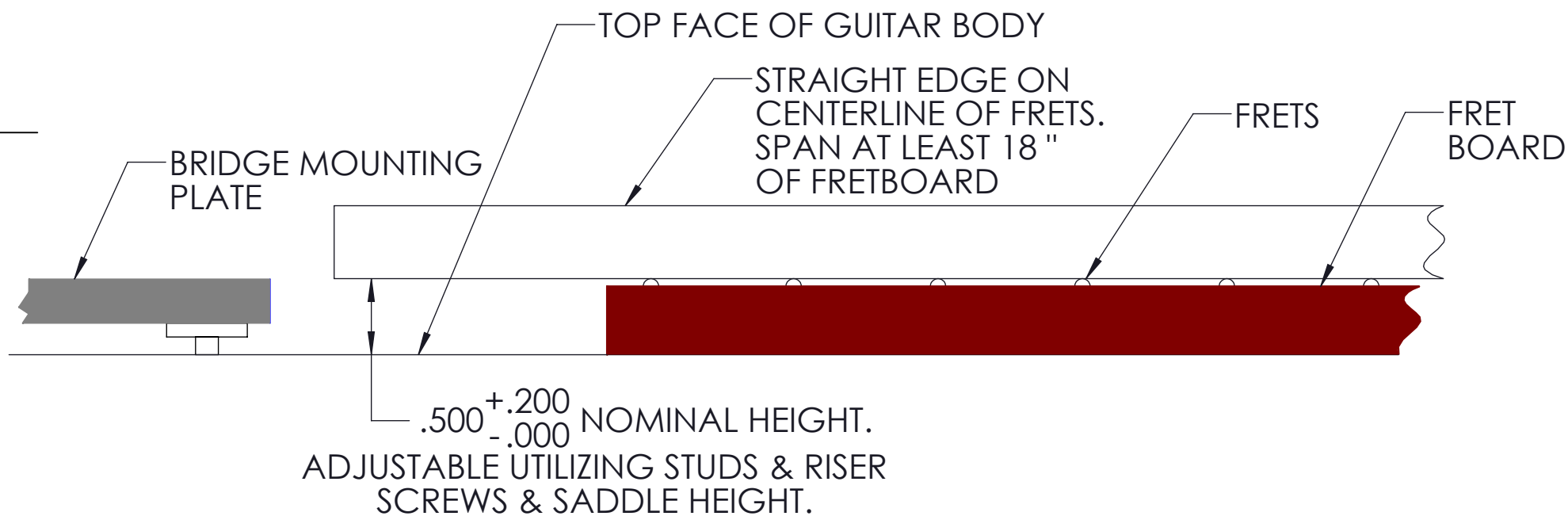
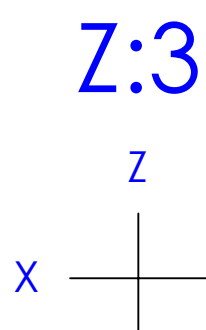


DWG is to offer assistance to a qualified Luthier. We do not guarantee 100% satisfaction on this DWG, therefore the Luthier is 100% responsible for the measurements and routings.	KAHLER INTERNATIONAL INC.		
	TITLE: LOCATION MEASUREMENTS ASSY: 2217, 2218, 2227, 2228		
	DWG. NO. 5794RIMA		
	DRAWN: TASC	DATE: 04/18/12	SCALE: 1:1

LOCATION FOR ROUTING SHAPE AND DEPTH FOR
CORRECT CAM AND SPRING ACTION



BRIDGE MOUNTING PLATE LOCATION AND
 HEIGHT MEASUREMENT FOR **CORRECT STRING ACTION**



DWG is to offer assistance to a qualified Luthier. We do not guarantee 100% satisfaction on this DWG, therefore the Luthier is 100% responsible for the measurements and routings.

KAHLER INTERNATIONAL INC.		
TITLE:	ROUTING/FRET HT. MEASUREMENTS ASSY: 2217, 2218, 2227, 2228	
DWG. NO.	5794RIMA	
DRAWN:	TASC	DATE: 04/18/12 SCALE: 1:1